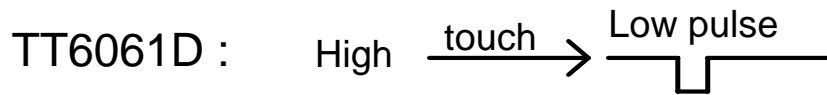


## TT6061D PRODUCT SPECIFICATION

GENERAL DESCRIPTION :

TT6061D IC IS A KIND OF CMOS TECHNOLOGY PERMITTED TO DESIGN ONE PULSE OUTPUT.  
THE DETAILED FUNCTIONS ARE AS FOLLOW :



PIN ASSIGNMENT

| PIN NO. | PIN NAME | FUNCTION DESCRIPTION       | I/O |
|---------|----------|----------------------------|-----|
| 1       | CK       | SYSTEM CLOCK INPUT         | I   |
| 2       | FI       | 60 OR 50 HZ LINE FREQUENCY | I   |
| 3       | VDD      | POWER INPUT PIN FOR VDD    | P   |
| 4       | TI       | TOUCH INPUT                | B   |
| 5       | CI       | SENSOR CONTROL INPUT       | B   |
| 6       | NC       |                            |     |
| 7       | VSS      | POWER INPUT PIN FOR VSS    | P   |
| 8       | AT       | ONE PULSE OUTPUT           | O   |

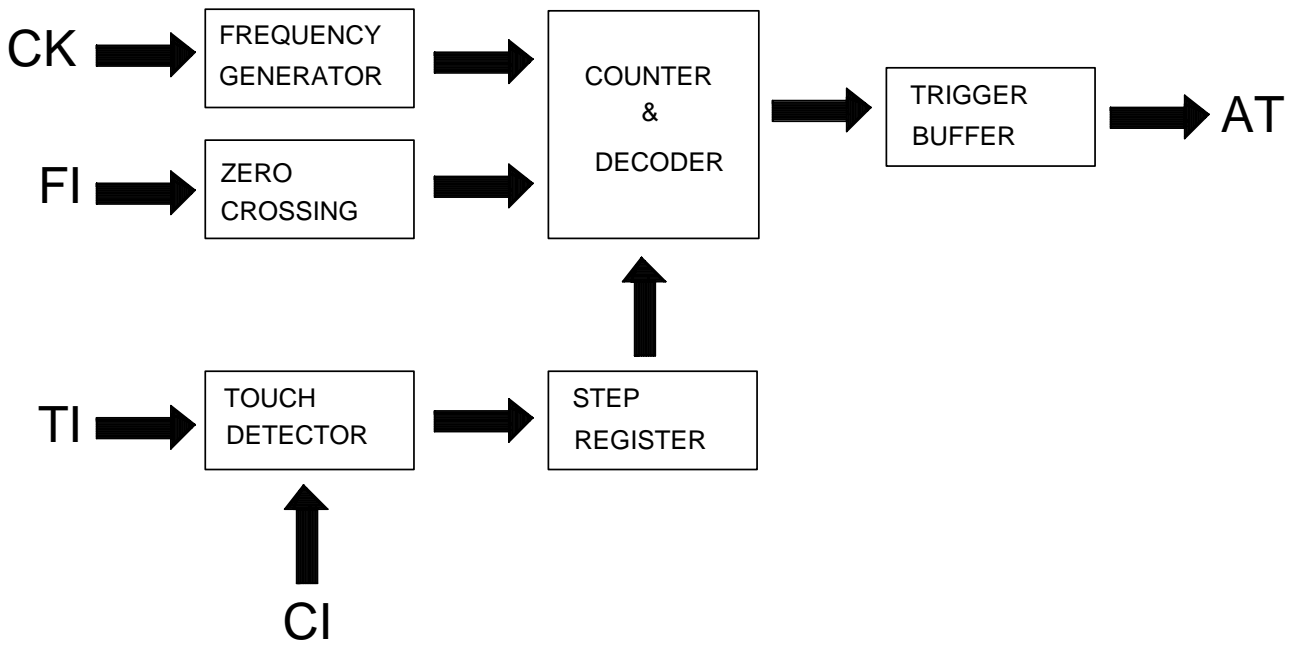
FEATURES :

1. NO MECHANICALLY SWITCH ELEMENTS.
2. HIGH SENSITIVITY AND STABILITY FOR LONG CONNECTING WIRE AND HEAVY LOADING (800pf) ON SENSE-PLATE FOR HUMAN BODY CAPACITY = 50pf
3. VERY SMALL NUMBER OF PERIPHERAL COMPONENTS REQUIRED

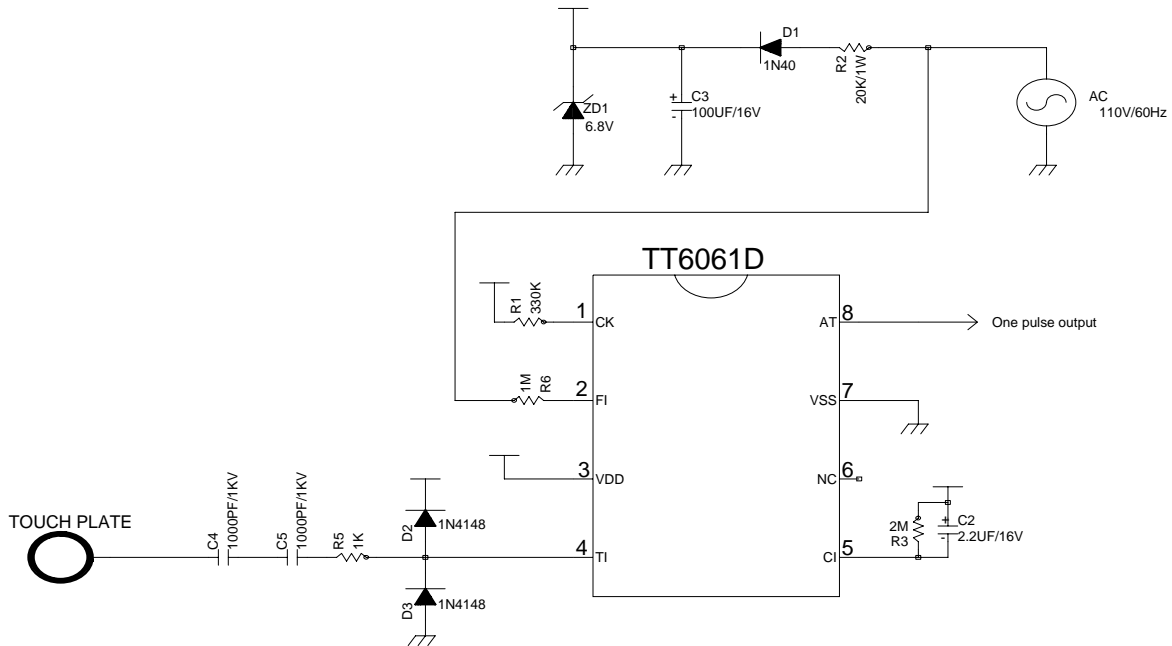
OPERATING PARAMETER :

1. OPERATING VOLTAGE(VDD) : 6.8 V
2. OPERATING CURRENT :  $\leq 1.0$  mA
3. TRIGGER OUTPUT CURRENT (AT PIN) :  $\leq -30$  mA (Vout=1.0V)
4. INPUT LEAKAGE :  $\leq 0.5$   $\mu$ A
5. VOLTAGE INPUT RANGE : (VSS - 0.3V) <-> (VDD + 0.3V)
6. OPERATING TEMPERATURE : 0°C ~ 80°C
7. STORAGE TEMPERATURE : -20°C ~ 120°C

TT6061D BLOCK DIAGRAM

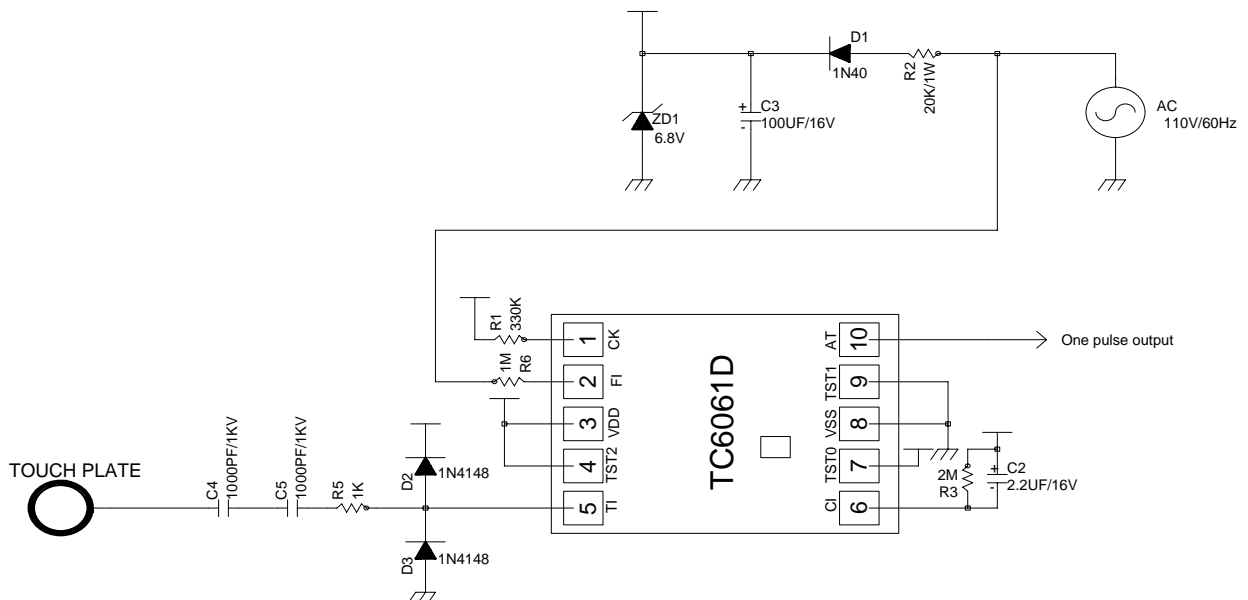


TT6061D RECOMMEND APPLICATION DIAGRAM



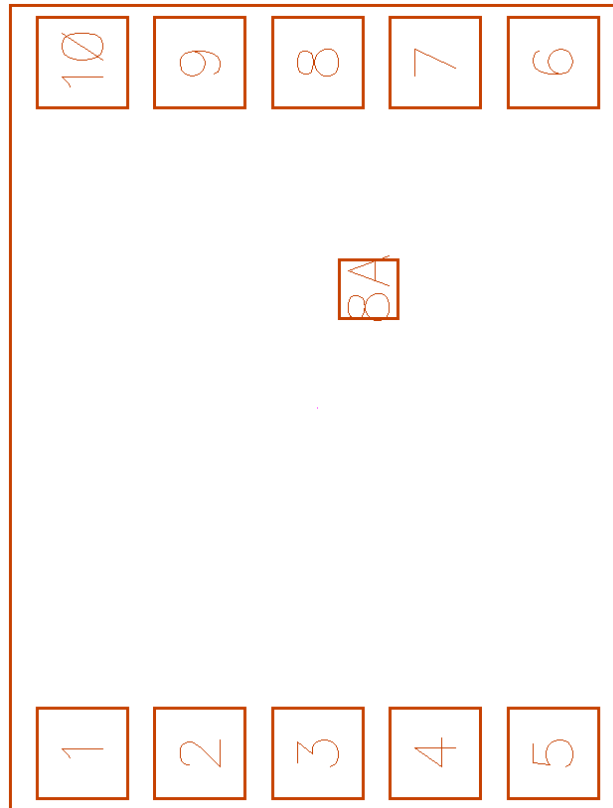
NOTE : FOR 220V/50HZ :  
 CHANGE R1 330K TO 390K ( FOR 60HZ CHANGE TO 50HZ )  
 CHANGE R2 20K/1W TO 39K/2W ( FOR 110V CHANGE TO 220V )  
 CHANGE R6 1M TO 2M ( FOR 110V CHANGE TO 220V )

TC6061D RECOMMEND APPLICATION DIAGRAM



NOTE : FOR 220V/50HZ :  
 CHANGE R1 330K TO 390K ( FOR 60HZ CHANGE TO 50HZ )  
 CHANGE R2 20K/1W TO 39K/2W ( FOR 110V CHANGE TO 220V )  
 CHANGE R6 1M TO 2M ( FOR 110V CHANGE TO 220V )

**TC6061D Pad diagram and coordinate**



CHIP SIZE = 690um X 880um

```
*****
PIN   PIN
NO.   NAME      X=      Y=
*****
1     CK        X= -244.00 Y= -343.30
2     FI        X= -122.00 Y= -343.30
3     VDD       X=   0.00 Y= -343.30
4     TST2      X=  122.00 Y= -343.30
5     TI        X=  244.00 Y= -343.30
6     CI        X=  244.00 Y=  343.25
7     TST0      X=  122.00 Y=  343.25
8     VSS       X=   0.00 Y=  343.25
9     TST1      X= -122.00 Y=  343.25
10    AT        X= -244.00 Y=  343.25
*****
```



**ORDER INFORMATION**

- a. Package form: TT6061D
- b. Chip form: TC6061D
- c. Wafer base: TD6061D

**REVISE HISTORY**

- 1. 2009/05/11  
-Original version : V\_1.0

**通泰热卖型号 :**

- TTP223-BA6
- TTP233H-BA6
- TTP233H-HA6
- TT8486
- TTP118-CA6N
- TTP230-AB6
- TT8486H
- TTY6753
- TT8486F
- TTP233D-PH6
- TTP233D-PH6
- TTP118-A08N
- TT6061A
- TTP224N-BSB
- TTP224N-BSBN
- TTY6757
- TTP233D-MA6N
- TTP233D-MA6N
- TTP117-C08N

卓联微官网 : [www.jointwel.com.cn](http://www.jointwel.com.cn)